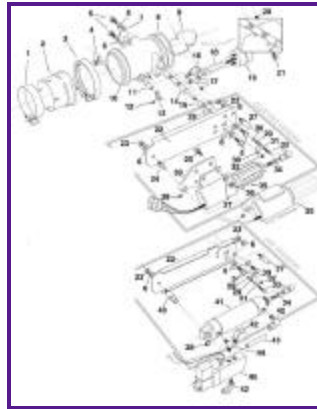


AP Products, Inc.

800-417-2477 (Administration & Non-Technical)

800-874-3271 (Technical Support Line)

D-Celerator Diesel Exhaust Brake Components



Click on the picture or [here](#) to view larger version of components.

(This will take a while to download, and you may need to use the scroll bars to view the entire picture. Use the "Back" button on your browser to return to this page.)

Electronic components are pictured [here](#).

ITEM	PART NUMBER	DESCRIPTION	QUANTITY
1	AC-2500	CLAMP, 2.5"	2
	AC-2750	CLAMP, 2.75"	
	AC-3000	CLAMP, 3"	
	AC-3500	CLAMP, 3.5"	
	AC-4000	CLAMP, 4"	
2	PA-2501	PIPE ADAPTER, 2.5"	2
	PA-2701	PIPE ADAPTER, 2.75"	
	PA-3001	PIPE ADAPTER, 3"	
	PA-3501	PIPE ADAPTER, 3.5"	
	PA-4000	PIPE ADAPTER, 4"	
3	VC-3000	V-CLAMP	2
	VC-4000	V-CLAMP (4")	
4	BP-1002	BY-PASS VALVE	1
	BP-1001	BY-PASS VALVE (4")	
5	PB-1002	HEX BOLT, 1/4 X 3/4"	4
6	LW-1002	LOCK WASHER	
7	PL-1004	PLATE	1

8	EG-3000	EXHAUST GASKET	1
	EG-4000	EXHAUST GASKET (4")	
9	MV-3000	BUTTERFLY VALVE	1
	MV-4000	BUTTERFLY VALVE (4")	
10	MH-1001	MAIN HOUSING	1
	MH-2001	MAIN HOUSING (4")	
11	NB-1007	BUSHING, BY-PASS VALVE SHAFT	1
	NB-1005	BUSHING, BY-PASS VALVE SHAFT (4")	
12	EC-1001	E CLIP, WASTE-GATE LEVER	1
13	LA-1000	LEVER ASSY, BY-PASS VALVE	1
14	PS-1006	PIVOT SHAFT	1
	PS-1005	PIVOT SHAFT (4")	
15	NB-1006	BUSHING, PIVOT SHAFT	1
16	BR-1001	BRACKET, PIVOT	1
17	LN-1002	LOCK NUT	3
18	AL-1000	ADJ END LINK	1
19	AC-1000S	ACTUATOR	1
	AC-1054S	ACTUATOR ("54" UNITS ONLY)	
20	SN-524	NUT, STAINLESS	2
21	PB-7000	HEX BOLT	2
22	HS-1002	HEAT SHIELD, STAINLESS	1
23	JN-1001	NUT, STAINLESS	2
24	PP-1003	PIVOT PIN, SOLENOID PLATE (E)	1
25	CB-1002	CARRIAGE BOLT, 5/16-18X5/8 (E)	1
26	PL-1005	PLATE, CYLINDER SIDE (E)	1
27	PV-1000	PIVOT STOP	1
28	JN-1000	JAM NUT	1
29	SW-1001	LOCK WASHER, 5/16"	1
30	LB-1001	LEVER, MAIN BUTTERFLY	1
31	LS-1000	LEVER SPACER	1
32	LN-1001	LOCK NUT, 5/16-18	1
33	SS-1003	QUICK DISCONNECT BALL CONNECTOR	1
34	JN-1000	JAM NUT	1
35	ES-1003	ELECTRIC SOLENOID (E) WITH CONNECTOR AND PIVOT PLATE	1
36	SN-1001	NUT, STAINLESS, 5/16-18 (E)	1
37	SW-1001	LOCK WASHER, 5/16" (E)	1
38	EC-1002	E-CLIP, AIR CYLINDER PIVOT	1
39	Discontinued	BRACKET, PIVOT (E)	1

40	PP-4000	PIVOT SHAFT (A)	1
41	AC-1050	AIR CYLINDER (A)	1
42	PL-4000	PUSH LOCK SWIVEL ELBOW (A)	3
43	PT-1002	NYLON TUBE (A)	1
44	PF-1000	MALE ELBOW, 90° (A)	1
45	AS-1001A	AIR SWITCH (A)	1

Return to [D-Celerator Diesel Exhaust Brake Operating and Installation Instructions](#)

Return to [D-Celerator](#) Product Page

Return to [Installation](#) Page

[Return to Home Page](#)

Send your questions and comments to: info@usgear.cc

Copyright © 2008 AP Products, Inc.

Last modified: 08/15/11